



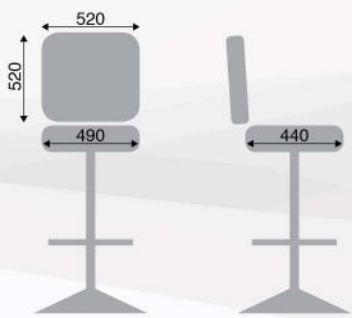
APOLLO

RB85-EG



FEATURES:

- Ergonomic design
- Automotive-grade moulded foam
- Quick-Release seat
- Protective edge on seat. Optional on backrest
- Heavy-Duty swivel mechanism or gas-height adjustment



FL85



SB87



RB85-EG



SB85



SB86

