

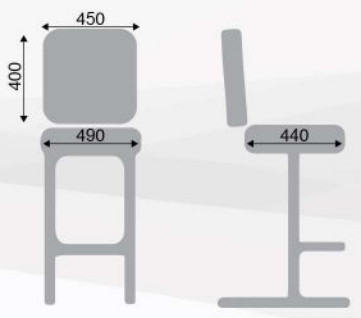


COMET



FEATURES:

- Ergonomic design
- Automotive-grade moulded foam seat
- Quick-Release seat
- Protective edge on seat and backrest
- High-strength sled base



SWGL (large seat)

