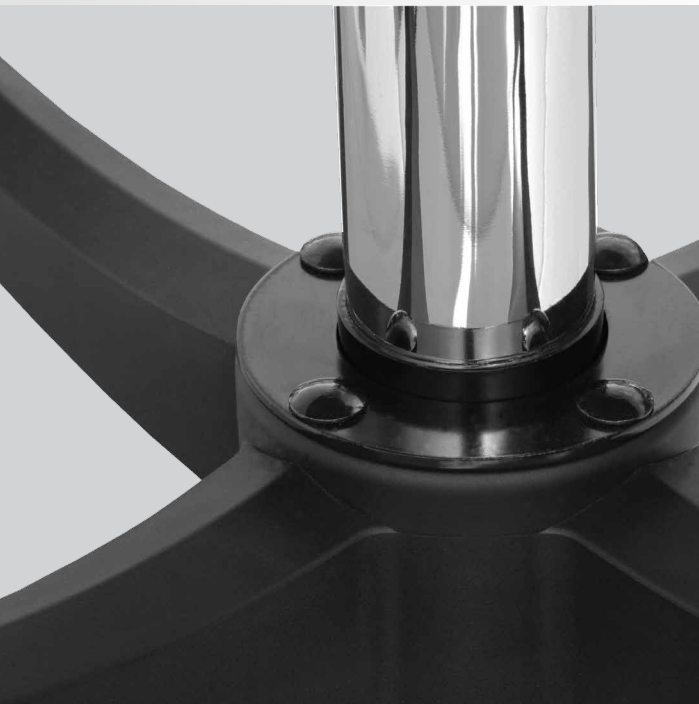


JUPITER

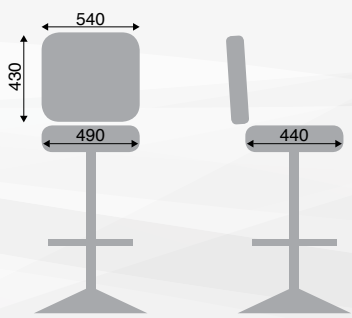


RB1KG-EG



FEATURES:

- Ergonomic design
- Automotive-grade moulded foam seat
- Quick-Release seat
- Protective edge on seat and backrest
- Heavy-Duty swivel mechanism or gas-height adjustment



FL1KG



SB12KG



RB1KG-EG



SB1KG



SB11KG

