

WARATAH

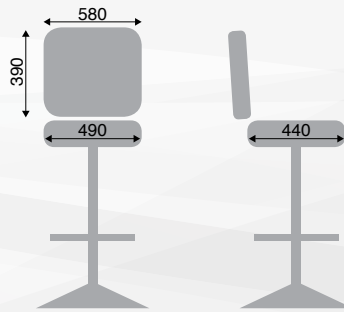


RB16KG-EG



FEATURES:

- Ergonomic design
- Automotive-grade moulded foam seat
- Heavy-Duty swivel mechanism or gas-height adjustment



RB16KG-EG



SB21KG



SB22KG

COMFORT • DURABILITY • QUALITY