

ORION

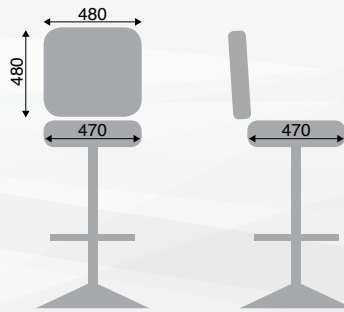


RB150-EG



FEATURES:

- Ergonomic design
- Automotive-grade moulded foam seat
- Quick-Release seat
- Protective edge on seat and backrest
- Heavy-Duty swivel mechanism or gas-height adjustment
- Handle on backrest



FL150



SB151



RB150-EG



SB150



SB160

COMFORT • DURABILITY • QUALITY