

Apollo

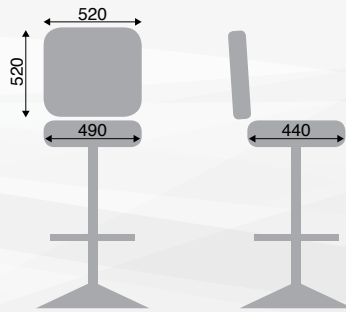


RB85KG-EG



FEATURES:

- Ergonomic design
- Automotive-grade moulded foam
- Quick-Release seat
- Protective edge on seat. Optional on backrest
- Heavy-Duty swivel mechanism or gas-height adjustment



FL85KG



SB87KG



RB85KG-EG



SB85KG



SB86KG

COMFORT • DURABILITY • QUALITY